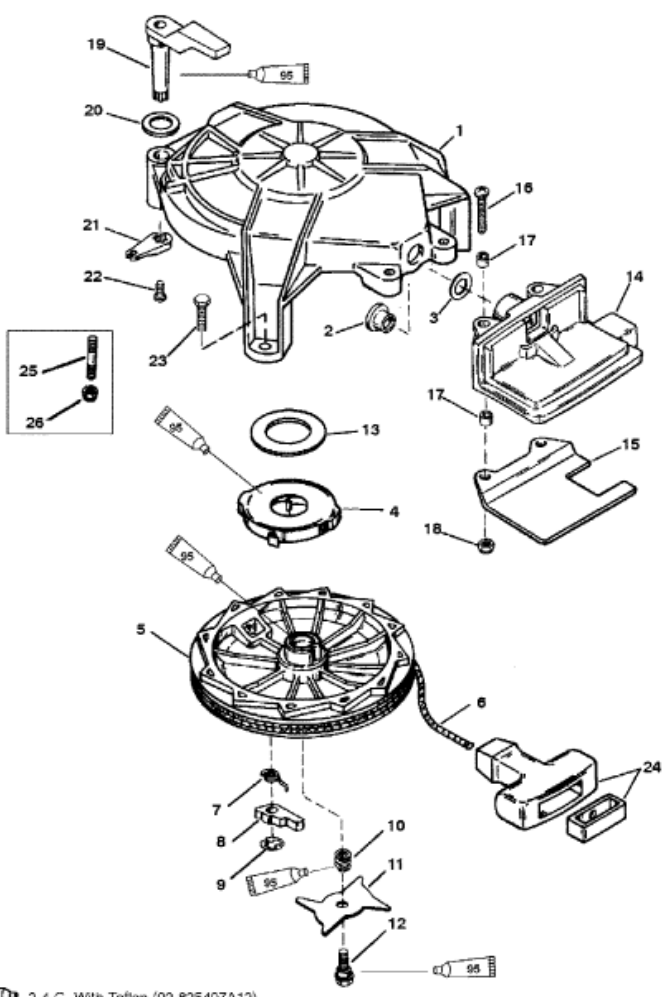


Parts List



95 2-4-C With Teflon (92-825407A12)

21951

| Ref | Class | Part | Description | Qty | Comment | Footnote |
|-----|-------|----------|------------------------------|-----|------------------------|----------|
| - | | 42207A 6 | RECOIL STARTER ASSEMBLY | 1 | | |
| 1 | | 42207 2 | HOUSING, Starter | 1 | | |
| 2 | | 42690 | BUSHING | 1 | | |
| 3 | 53 | 818853 | RING, Retaining | 1 | | |
| 4 | 24 | 86857 1 | SPRING | 1 | | |
| 5 | | 42034 50 | STARTER PULLEY | 1 | | |
| 6 | 50 | 12066A 9 | ROPE | 1 | | |
| 7 | 24 | 86851 | SPRING | 2 | | |
| 8 | | 86850 1 | CAM | 2 | | |
| 9 | 53 | 86849 1 | RING, Retaining | 2 | | |
| 10 | 24 | 86852 | SPRING | 1 | | |
| 11 | | 86853 | CAM | 1 | | |
| 12 | 10 | 818838 | SCREW | 1 | | |
| 13 | | 90478 | PAD | 1 | | |
| 14 | | 19018 | REST | 1 | | |
| 15 | | 12674 | SUPPORT | 1 | | |
| 16 | 10 | 40019111 | SCREW, (M5 x 35) | 2 | | |
| 17 | 23 | 30977 2 | SPACER | 4 | | |
| 18 | 11 | 40063 3 | NUT, (M5) | 2 | | |
| 19 | | 42171 | LEVER (UPPER) | 1 | | |
| 20 | 12 | 56681 | WASHER, (.203 x .500 x .032) | 1 | | |
| 21 | | 42173 | LEVER (LOWER) | 1 | | |
| 22 | 10 | 48408 | SCREW, (#10-16 x .500) | 1 | | |
| 23 | 10 | 40011128 | SCREW, (M6 x 20) | 3 | | |
| 24 | | 85174A 1 | HANDLE ASSEMBLY | 1 | | |
| 25 | 16 | 816194 5 | STUD, (M6 x 32) | 3 | SEAPRO/MARATHON MODELS | |
| 26 | 11 | 826833 6 | NUT, (M6) | 3 | SEAPRO/MARATHON MODELS | |